

All CoreLed Systems, LLC Optical Components are designed and manufactured in the USA.

- Surface Mounted Sub-module: Quad Collimating Assembly
- May be used with an MLA (Micro-Lens Array) available as a separate component (not included)
- Metal clip for PCB attachment
- Collimating 2x2 lens array with housing
- Housing Cap to retain MLA available as separate component
- Packaging & Solder Spec: see Product Data Sheet
- CoreLED PN: 13020
- Emitter name: Osram Oslon Boost HM
- Emitter P/N: KW CULPM1.TG

Dimensions:

16.84 mm Width
 16.73 mm Length
 9.25 mm Height
See Part Drawing for more details

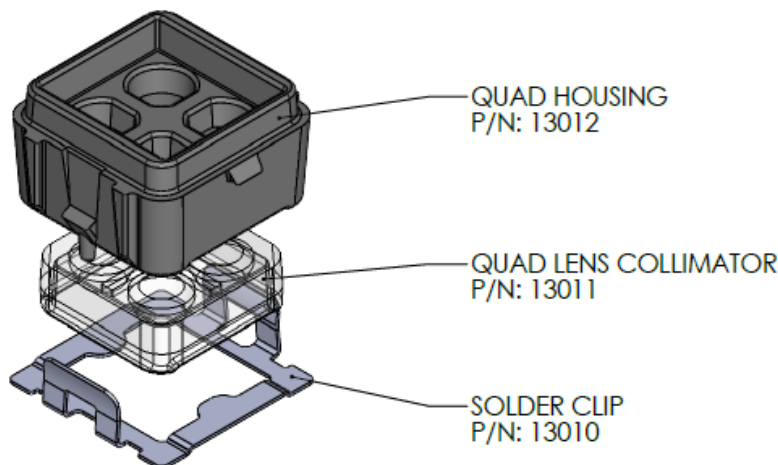
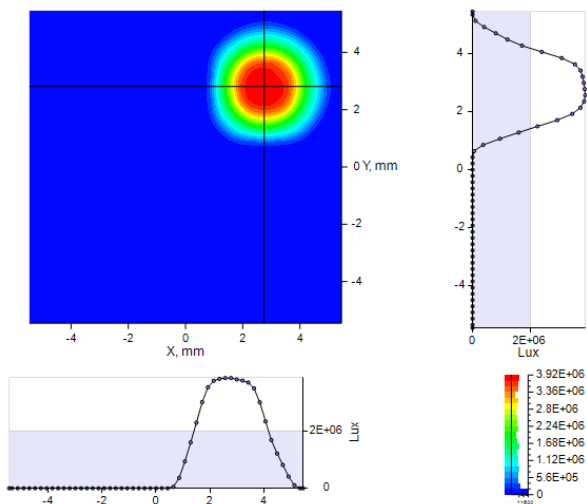
Prototype Sample



CHARACTERISTICS

IES NEMA Type	2H x 2V
Maximum Candela	677
Maximum Candela Angle	0.0H 0.0V
Horizontal Beam Angle (50%)	10.8
Vertical Beam Angle (50%)	10.8
Horizontal Field Angle (10%)	19.0
Vertical Field Angle (10%)	19.0
Total Rated Lamp Lumens	100
Beam Lumens	13.69
Total Efficiency	28.75%

Illuminance on a plane (Lux) (before MLA lens)
 One Quadrant Shown



Key Features:

- Collimating optics designed to work with Osram Oslon Boost HM
- Other LEDs can be analyzed for fit & performance upon request from CoreLED
- Supplied in tape and reel
- Precision alignment (within $\pm 0.2\text{mm}$)
- Standard pick and place equipment