

All CoreLED Systems, LLC Optical Components are designed and manufactured in the USA.

- Surface Mounted Sub-module: Single Collimating Assembly
- May be used with an MLA (Micro-Lens Array) available as a separate component (not included)
- Metal clip for PCB attachment
- Collimating silicone lens with housing
- Housing cap to retain MLA available as separate component
- CoreLED PN 13115 (Assembly)
- Packaging & Solder Spec: see Product Data Sheet
- Emitter name: Osram OSIRE E3323 RGB
- Emitter P/N: KRTBDWLM31.32

Dimensions:

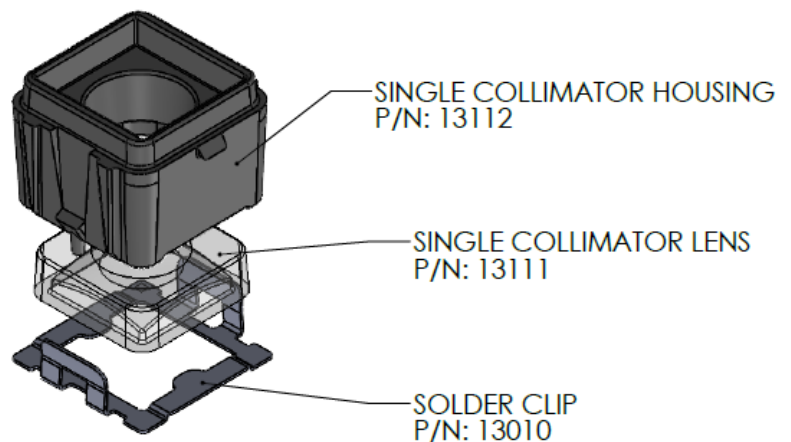
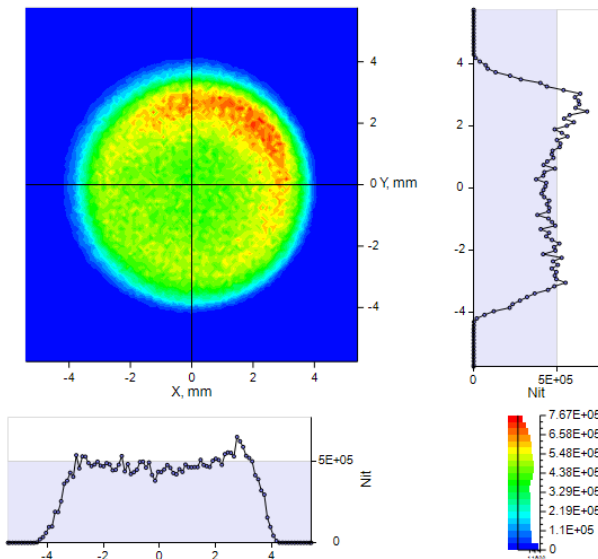
16.84 mm Width
16.73 mm Length
12.02 mm Height

See Part Drawings for more details

| | |
|------------------------------|-------------|
| IES NEMA Type | 2H x 2V |
| Maximum Candela | 80 |
| Maximum Candela Angle | -3.0H -3.0V |
| Horizontal Beam Angle (50%) | 4.7 |
| Vertical Beam Angle (50%) | 6.5 |
| Horizontal Field Angle (10%) | 22.4 |
| Vertical Field Angle (10%) | 22.7 |
| Total Rated Lamp Lumens | 7 |
| Total Efficiency | 43.97% |

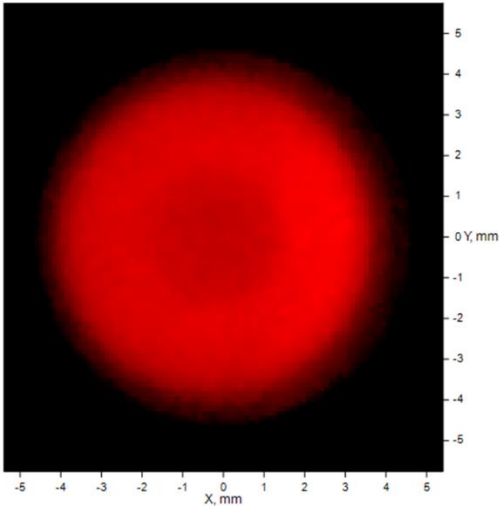


Spatial Luminance on MLA (nits)

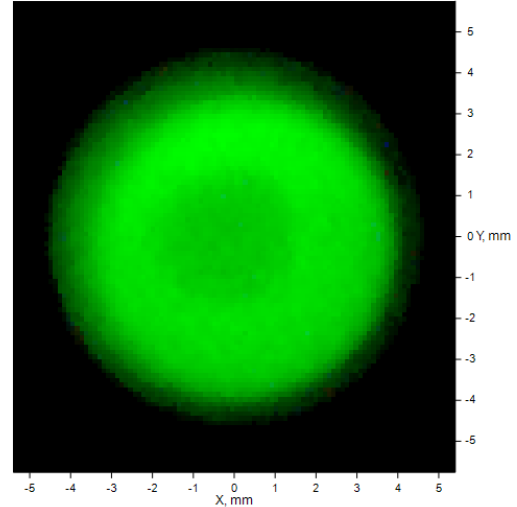


True Color Illuminance for each color and all combined:

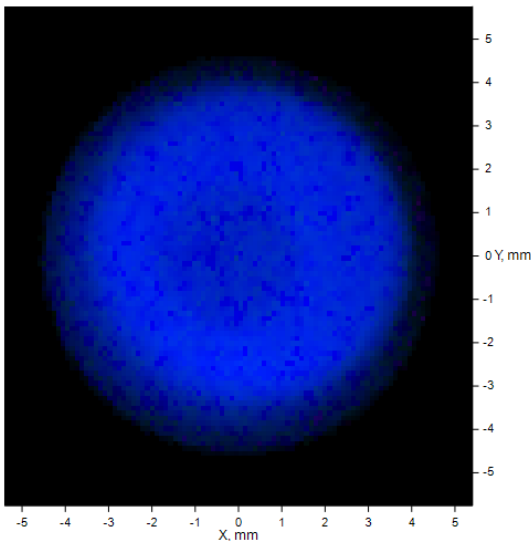
OSIRE E3323 RGB RED CHIP 1.68 lumens



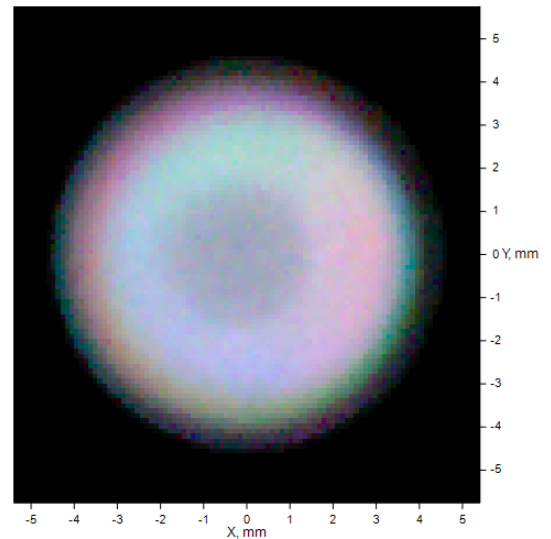
OSIRE E3323 RGB GREEN CHIP 4.31 lumens



OSIRE E3323 RGB BLUE CHIP 0.63 lumens



OSIRE E3323 RGB ALL COLORS 7 lumens



Key Features:

- Collimating optics designed to work with Osram OSIRE E3323 RGB
- Other LED can be analyzed for fit & performance upon request
- Supplied in tape & reel
- Precision alignment (within 0.2mm)
- Standard pick and place equipment