

All CoreLed Systems, LLC Optical Components are designed and manufactured in the USA.

- Surface Mounted Sub-module: Quad MLA
- Metal clip for PCB attachment
- Collimating 2x2 lens array with housing
- Housing Cap to retain MLA available as separate component
- Packaging & Solder Spec: see Product Data Sheet
- CoreLED PN: 13020
- Emitter name: Osram Oslon Boost HM
- Emitter P/N: KW CULPM1.TG

Dimensions:

16.84 mm Width  
 16.73 mm Length  
 9.25 mm Height  
*See Part Drawing for more details*

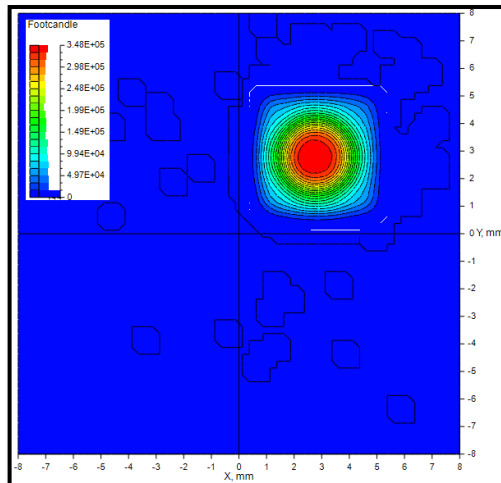
Prototype Sample



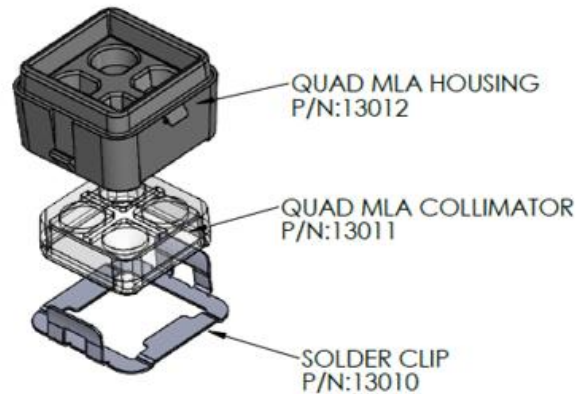
**CHARACTERISTICS**

IES NEMA Type	1H x 1V
Maximum Candela	879
Maximum Candela Angle	0.0H 0.0V
Horizontal Beam Angle (50%)	9.5
Vertical Beam Angle (50%)	9.4
Horizontal Field Angle (10%)	17.4
Vertical Field Angle (10%)	17.4
Total Rated Lamp Lumens	100

Linear Illuminance on a plane (7mm away)



EXPLODED VIEW



**Key Features:**

- Collimating optics designed to work with Osram Oslon Boost HM
- Other LEDs can be analyzed for fit & performance upon request from CoreLED
- Supplied in tape and reel
- Precision alignment (within  $\pm 0.2\text{mm}$ )
- Standard pick and place equipment