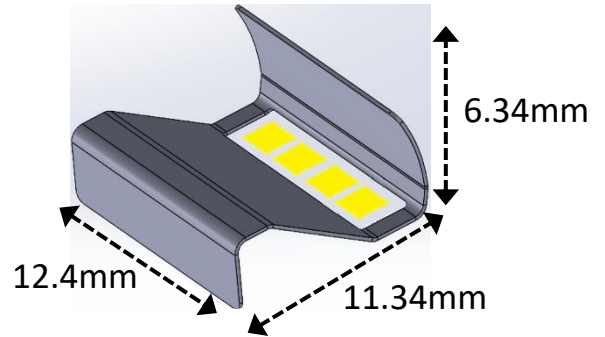


All CoreLed Systems, LLC Optical Components are designed and manufactured in the USA.

- Reflector Description: All Metal stamped reflector
- C510 Phosphor Bronze with matte Tin plating
- Photometric pattern: Type 3 Very Short
- Photometric Data: Contact CoreLED for IES files,
- Emitter name: Nichia E17 (4 LEDs)



Measured Data

**Characteristics**

IES Classification	Type III
Longitudinal Classification	Very Short
Lumens Per Lamp	30000 (1 lamp)
Total Lamp Lumens	30000
Luminaire Lumens	30390
High Efficiency ~95%	
Luminaire Efficacy Rating (LER)	98032
Total Luminaire Watts	0.31
Ballast Factor	1.00
Upward Waste Light Ratio	0.00
Max. Cd.	15959.855 (6H, 48V)
Max. Cd. (<90 Vert.)	15959.855 (6H, 48V)
Max. Cd. (At 90 Deg. Vert.)	1259.706 (4.2%Lamp)
Max. Cd. (80 to <90 Deg. Vert.)	2972.09 (9.9%Lamp)
Cutoff Classification (deprecated)	Semi-Cutoff

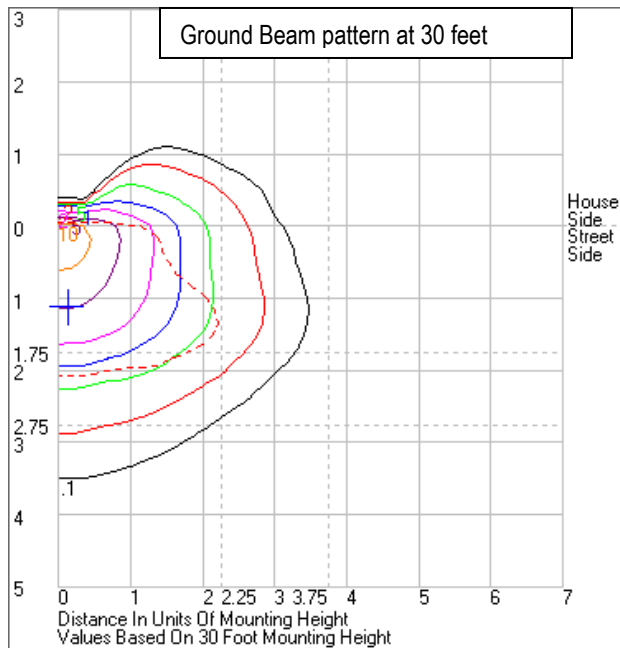
**Lum. Classification System (LCS)**

LCS Zone	Lumens	%Lamp	%Lum
FL (0-30)	5478.3	18.3	18.0
FM (30-60)	14025.7	46.8	46.2
FH (60-80)	6091.6	20.3	20.0
FVH (80-90)	801.3	2.7	2.6
BL (0-30)	1243.8	4.1	4.1
BM (30-60)	1678.2	5.6	5.5
BH (60-80)	811.2	2.7	2.7
BVH (80-90)	115.1	0.4	0.4
UL (90-100)	144.3	0.5	0.5
UH (100-180)	0.3	0.0	0.0
Total	30389.8	101.4	100.0

**BUG Rating B3-U3-G5**



Ground Beam pattern at 30 feet



Far-Field Beam pattern

