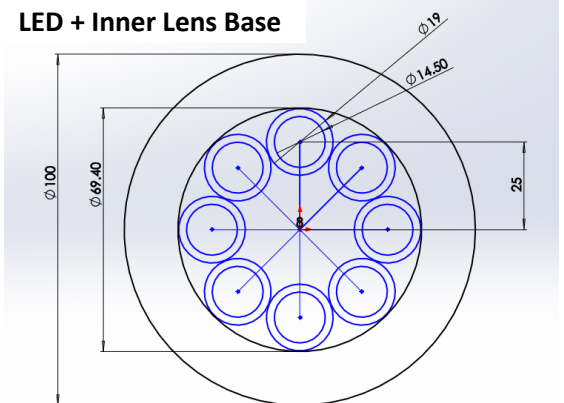
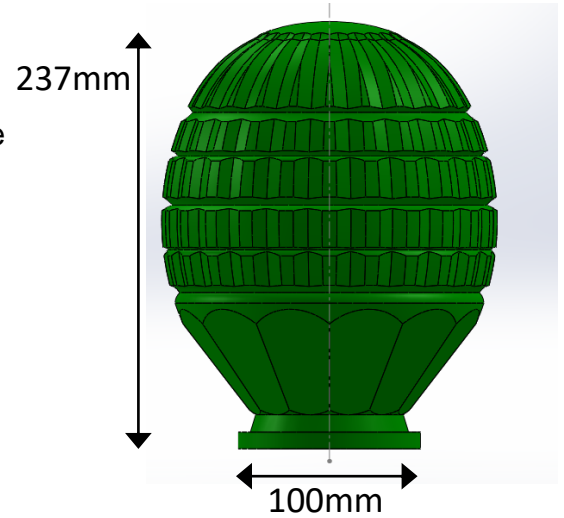


All CoreLed Systems, LLC Luminaire lens are designed and manufactured in the USA.

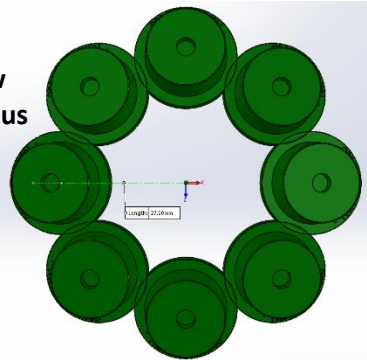
- Lens Description: Solid silicone element with crystal-like appearance, street lamp accent lighting
- Lens P/N: Prototype
- Lens pattern: Uniform sparkle appearance
- Photometric Data: Contact CoreLed for IES files
- Mechanical Specification: Contact CoreLed for part drawing

Emitter name: Circular Array of 8 Cree XML LEDs
 Emitter P/N: XML CTW
 Emitter Color: May be white or RGB

Material: Moldable Silicone DOW MS_1002.



Ring of 8
 Bottom View
 27.2mm radius



Lit Appearance

