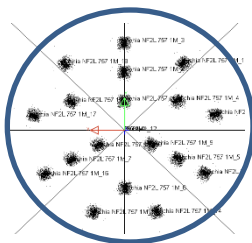
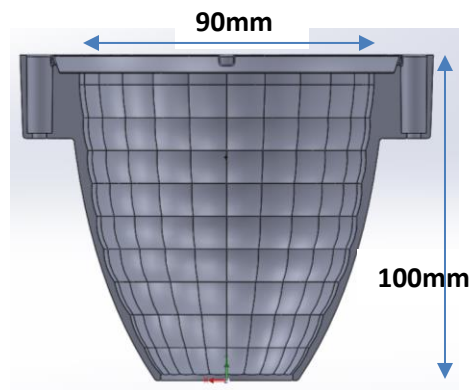
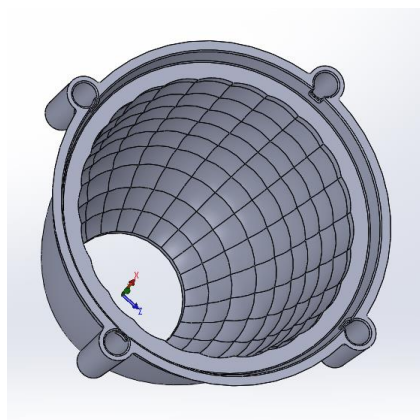


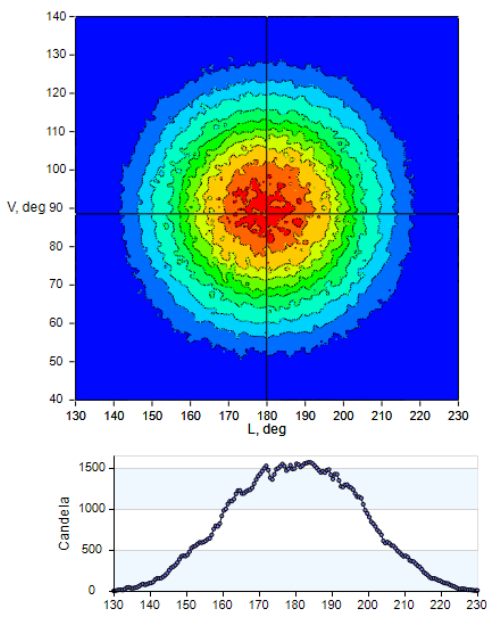
All CoreLed Systems, LLC Luminaire lens are designed and manufactured in the USA.

- Reflector Description: Faceted Reflector cone, may be metallized or white PC
- Lens Description: Smooth, clear outer lens, or lens cover may be used – no optical function
- Reflector pattern: IES NEMA Type 5H x 5V
 

Beam Angle (50%)	46°
Field Angle (10%)	77°
Efficiency	89%
- Photometric Data: Contact CoreLed for IES files
- Mechanical Specification: Contact CoreLed for part drawing
- Emitter name: CHIP ON BOARD: 18 Nichia 757 arranged on 30mm diameter board
- Emitter P/N: NF2L757DRT-V1



Intensity (cd) vs Angle



Candela vs Angle  
89% Efficiency

