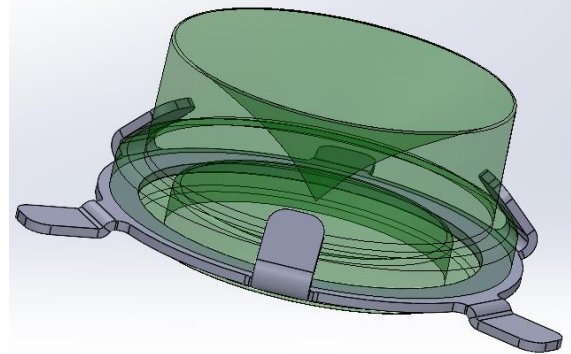


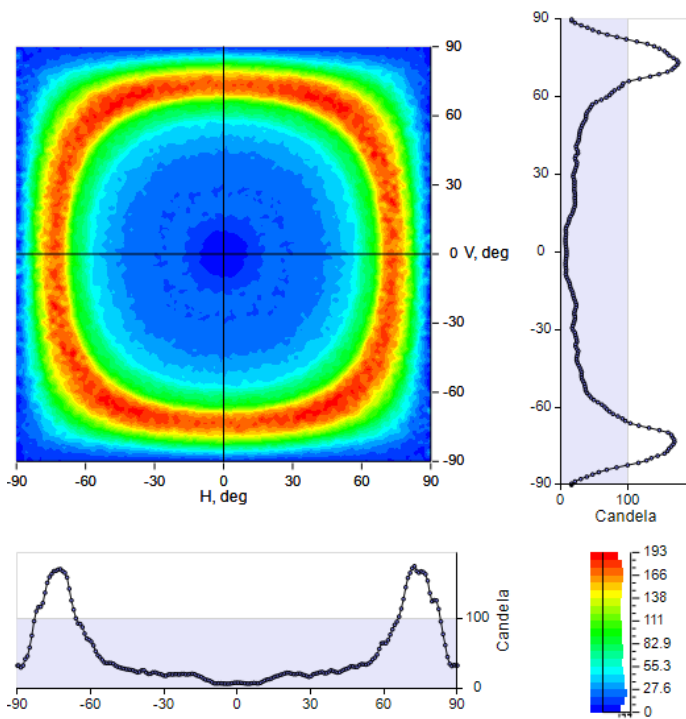
All CoreLed Systems, LLC Optical Components are designed and manufactured in the USA.

- Optic Description: Surfaced Mounted Optic, 74° Batwing
- Molded silicone (DOW MS_1002_Moldable_Silicone)
- Photometric pattern: 74° Batwing, symmetrical
- Photometric Data: Contact CoreLed for IES files, Lamp lumens = 524, Simulation
- Mech Spec: SMO Family Part #12003, see Product Data Sheet
- Packaging & Solder Spec: see Product Data Sheet
- Emitter name: Nichia E17 (1.7mm x 1.7mm Footprint)
- Emitter P/N: NCSLE17A Warm White

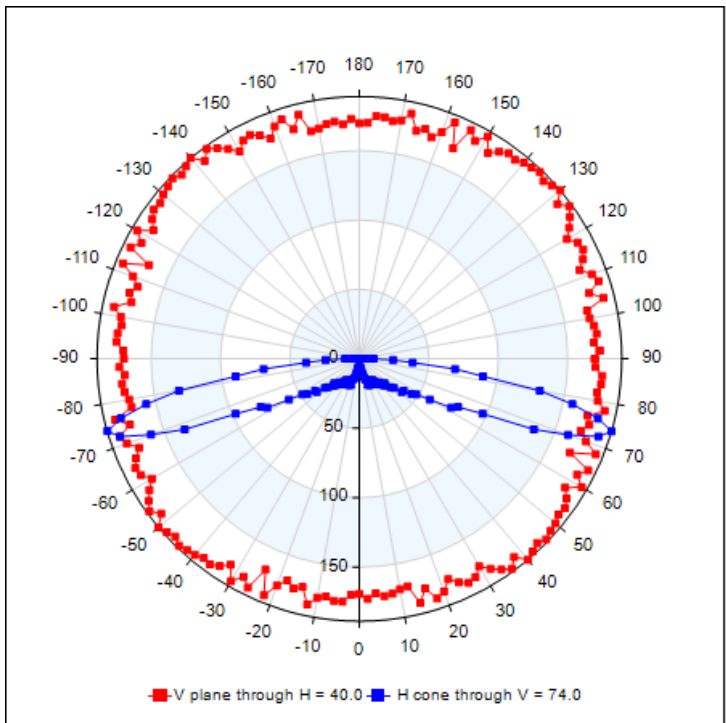
SMO Dimensions:
 10.5 mm Diameter
 5 mm Height
 Shown with clip.
See Part Drawing for more details



IES Classification	Type V
Longitudinal Classification	Short
Cutoff Classification (deprecated)	Non-Cutoff
Total Rated Lamp Lumens	524
Max. Candela	188.93
Max. Candela Angle	40.0H 74.0V
Total Lamp Lumens	524
Downward Total Efficiency	82.2%



LUMINOUS INTENSITY
CANDELA VERSUS ANGLE



FAR-FIELD INTENSITY DISTRIBUTION
BATWING 74° PEAK