

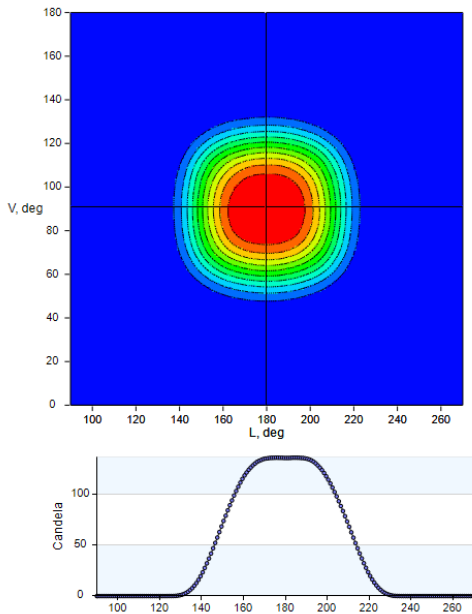
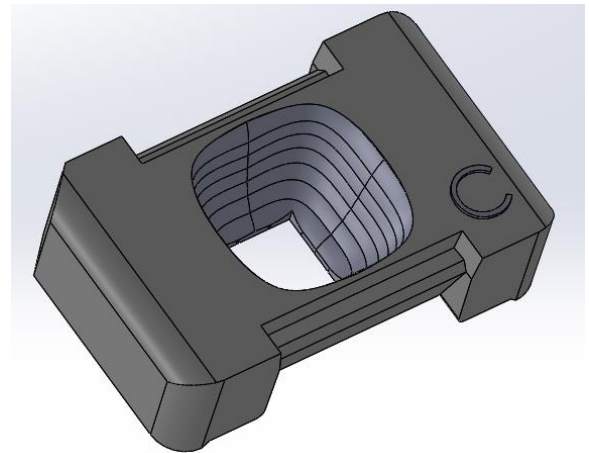
All CoreLed Systems, LLC Optical Components are designed and manufactured in the USA.

- Reflector Description: Surfaced Mounted Reflector, 5H x 5V Flood
- Al Direct Metallized reflector coating
- Photometric pattern: 56° Flood
- Photometric Data: Contact CoreLed for IES files, Default lumens = 150, 1 Million Rays
- Mech Spec: SMR Family Part #11003, see Product Data Sheet
- Packaging & Solder Spec: see Product Data Sheet
- Emitter name: Nichia E17 (1.7mm x 1.7mm Footprint)
- Emitter P/N: NCSWE17A(R8000)

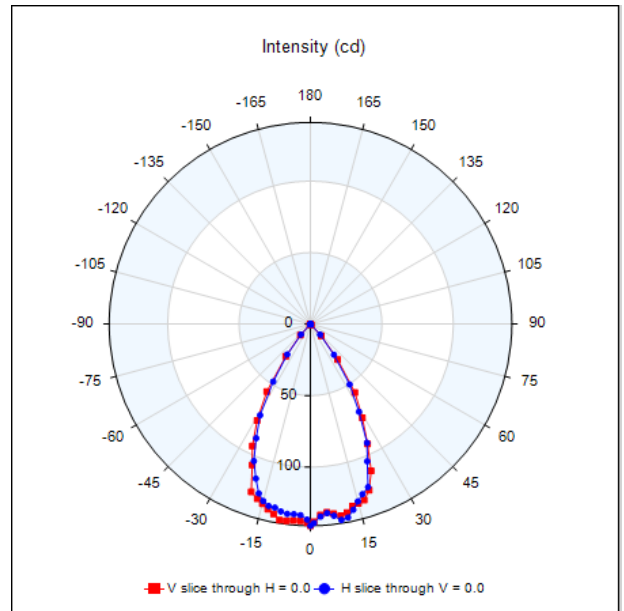
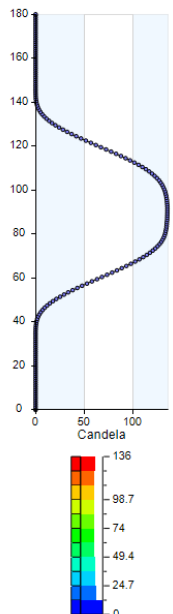
Dimensions:
 7.54 mm Width
 11.99 mm Length
 3.5 mm Height

See Part Drawing for more details

IES NEMA Type	5H x 5V
Maximum Candela	141
Maximum Candela Angle	-9.0H -1.0V
Horizontal Beam Angle (50%)	60.6
Vertical Beam Angle (50%)	56.5
Horizontal Field Angle (10%)	83.1
Vertical Field Angle (10%)	81.8
Total Rated Lamp Lumens	150
Total Efficiency	86.53%



FLOOD / CANDELA VERSUS ANGLE



56 DEGREE FWHM