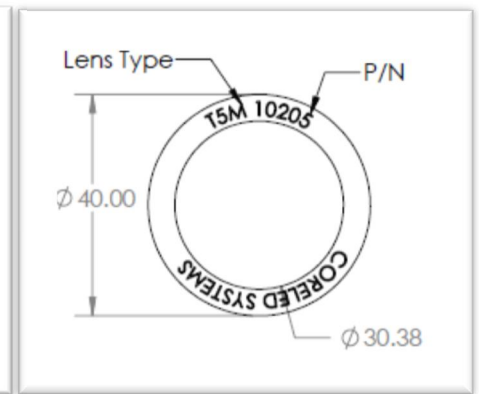
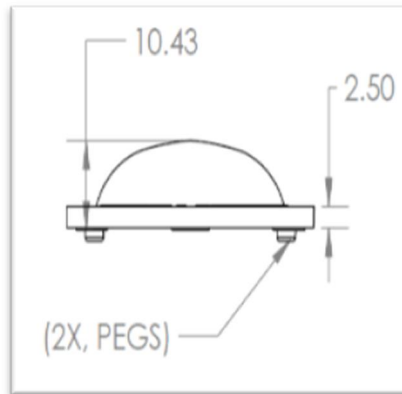


All CoreLed Systems, LLC Luminaire lens are designed and manufactured in the USA.

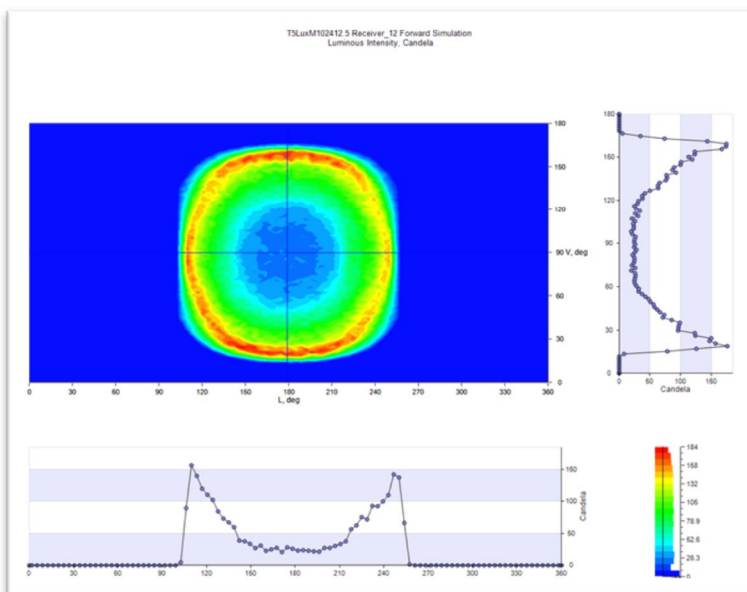
- Lens Description: OPTIC, TYPE 5M, LUX M
- Lens P/N: 10205, A, B, C, D
- Lens pattern: 5M
- Photometric Data: Contact CoreLed for IES files
- Mechanical Specification: Contact CoreLed for part drawing

Emitter name: PHILIPS Lumileds LUXEON M
 Emitter P/N: LXRx-Sxxx-xxxx

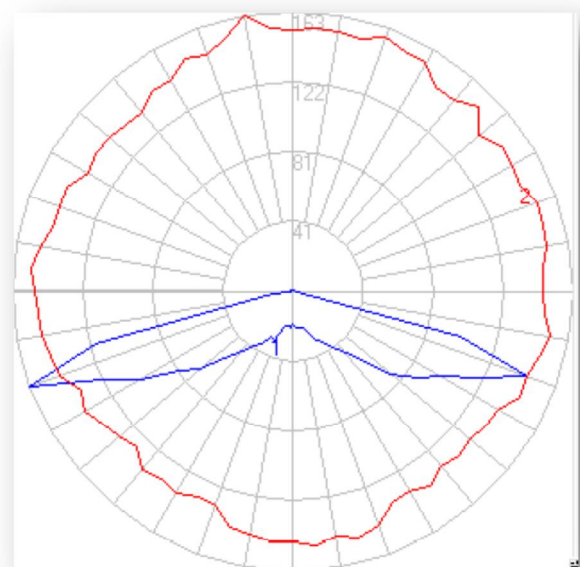
The 5M lens is available in four mounting configurations of bottom pegs or side ears. The lens uses a UV stabilized high temperature optically clear PMMA acrylic. The 5M lens has an outer diameter of 40mm and an height from the PCB mount plane of 10.43mm.



10205 LENS	VERSION TABLE	
	WITH PEGS	NO PEGS
NO EARS	A	B
WITH EARS	C	D



BATWING PATTERN / CANDELA VERSUS ANGLE



PEAK CANDELA 70 DEGREES